

4

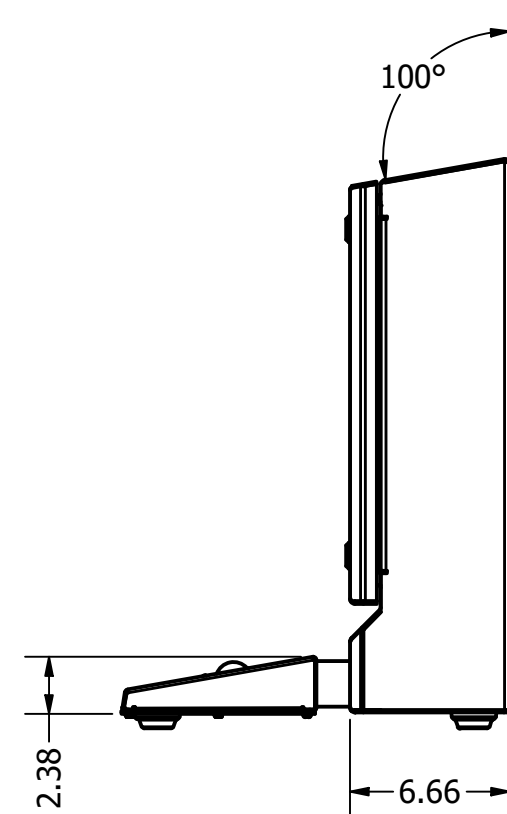
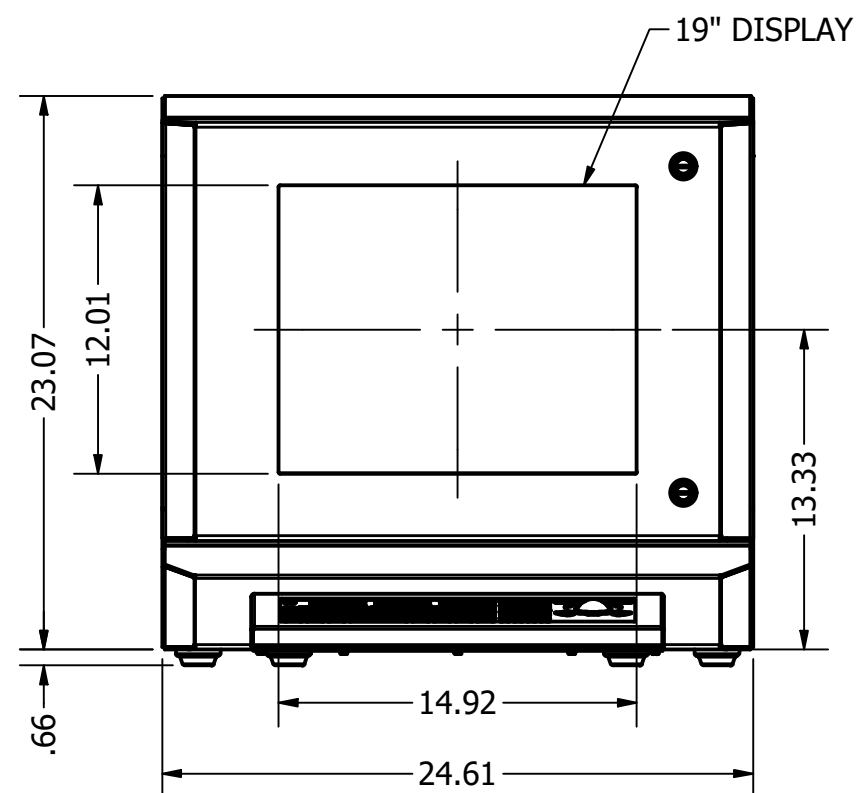
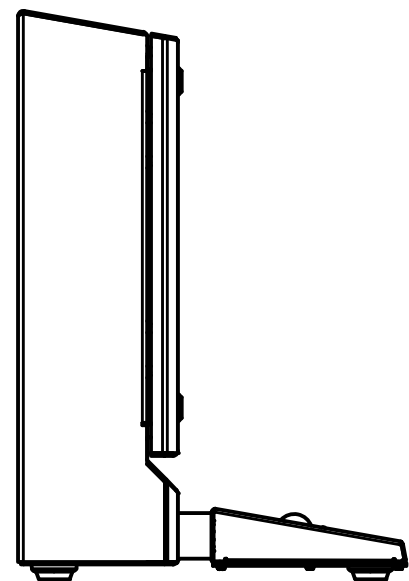
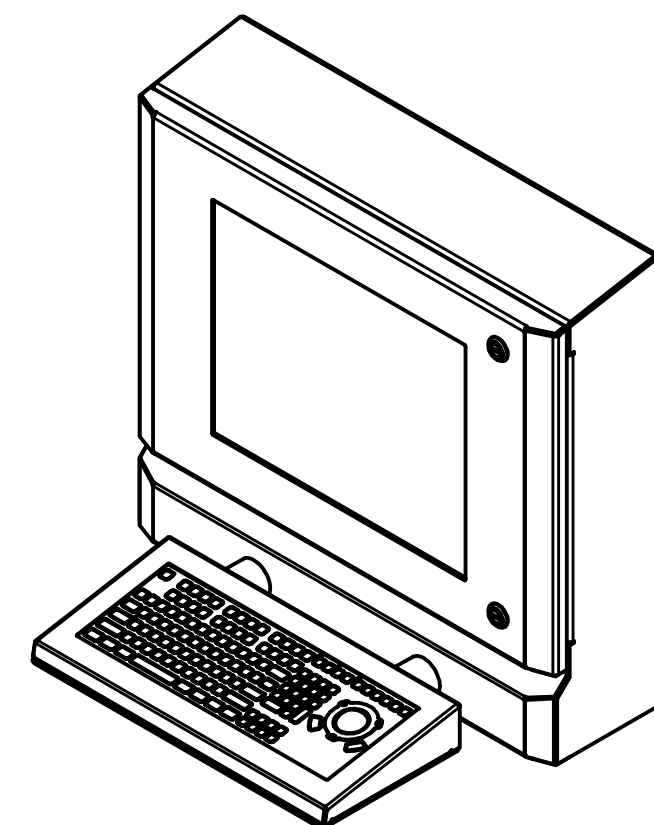
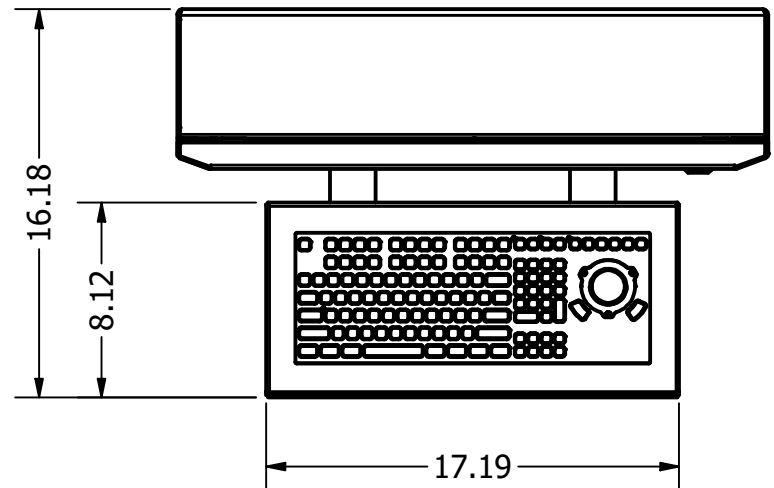
3

2

1

B

B



A

A

4

3

2

1

A

A

THIS DOCUMENT IS CONSIDERED PROPRIETARY TO DAISY DATA. THE USE OR REPRODUCTION OF THIS DOCUMENT IS PROHIBITED EXCEPT AS AUTHORIZED BY THE CORPORATION IN WRITING. SPECIFICATIONS ARE SUBJECT TO CHANGE WITHOUT NOTICE.

DAISY DATA DISPLAYS, INC.
www.daisydata.com

MODEL NUMBER
 4756KB